

PARTS LIST

TPP30

CONTENTS

1. MAIN BODY	1 ~ 2
2. PRUNER HEAD	3 ~ 4
3. ENGINE	5 ~ 8
4. CARBURETOR, FUEL TANK	9 ~ 10
5. ACCESSORIES	11 ~ 12

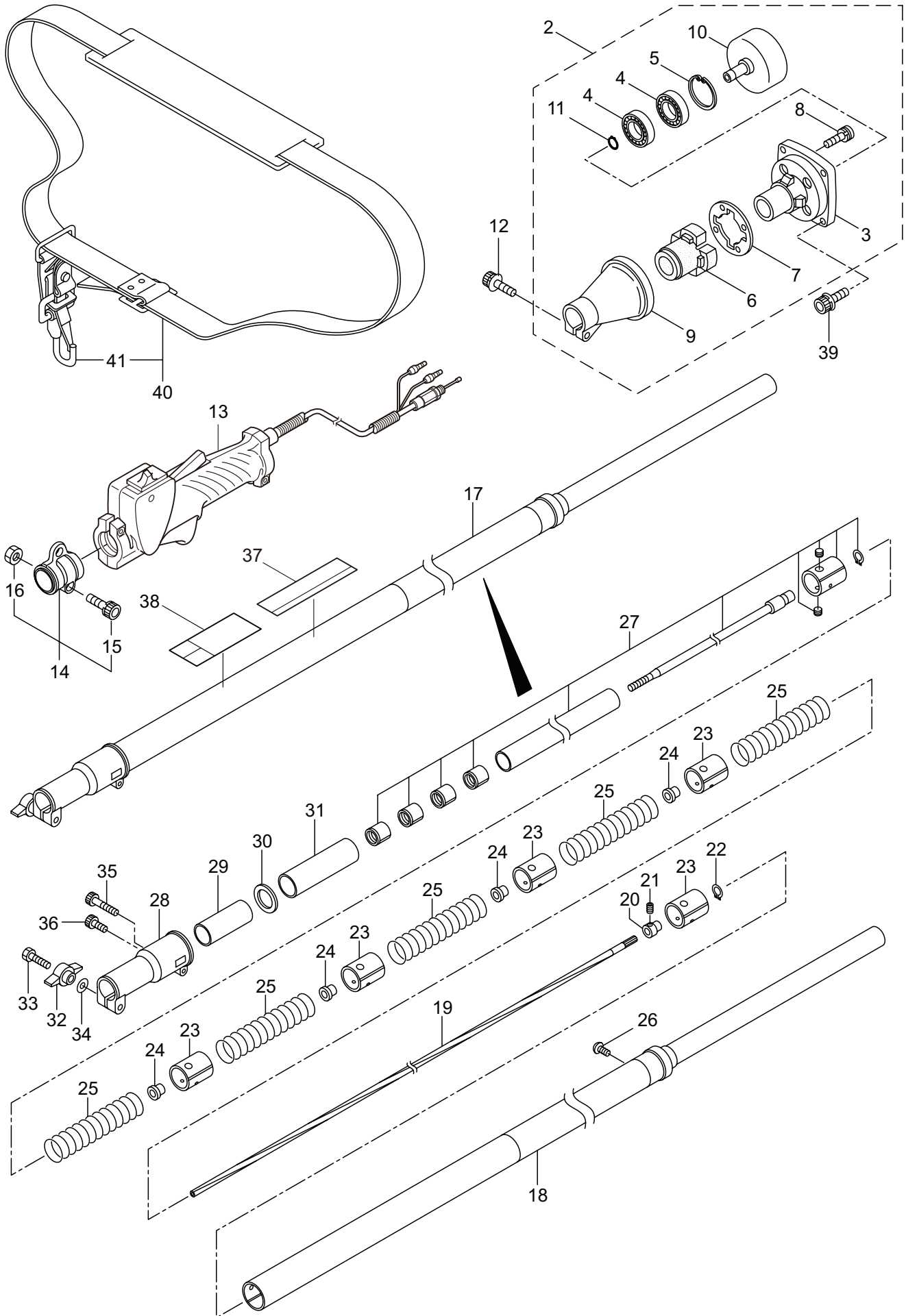
2016. 02.



MARUYAMA

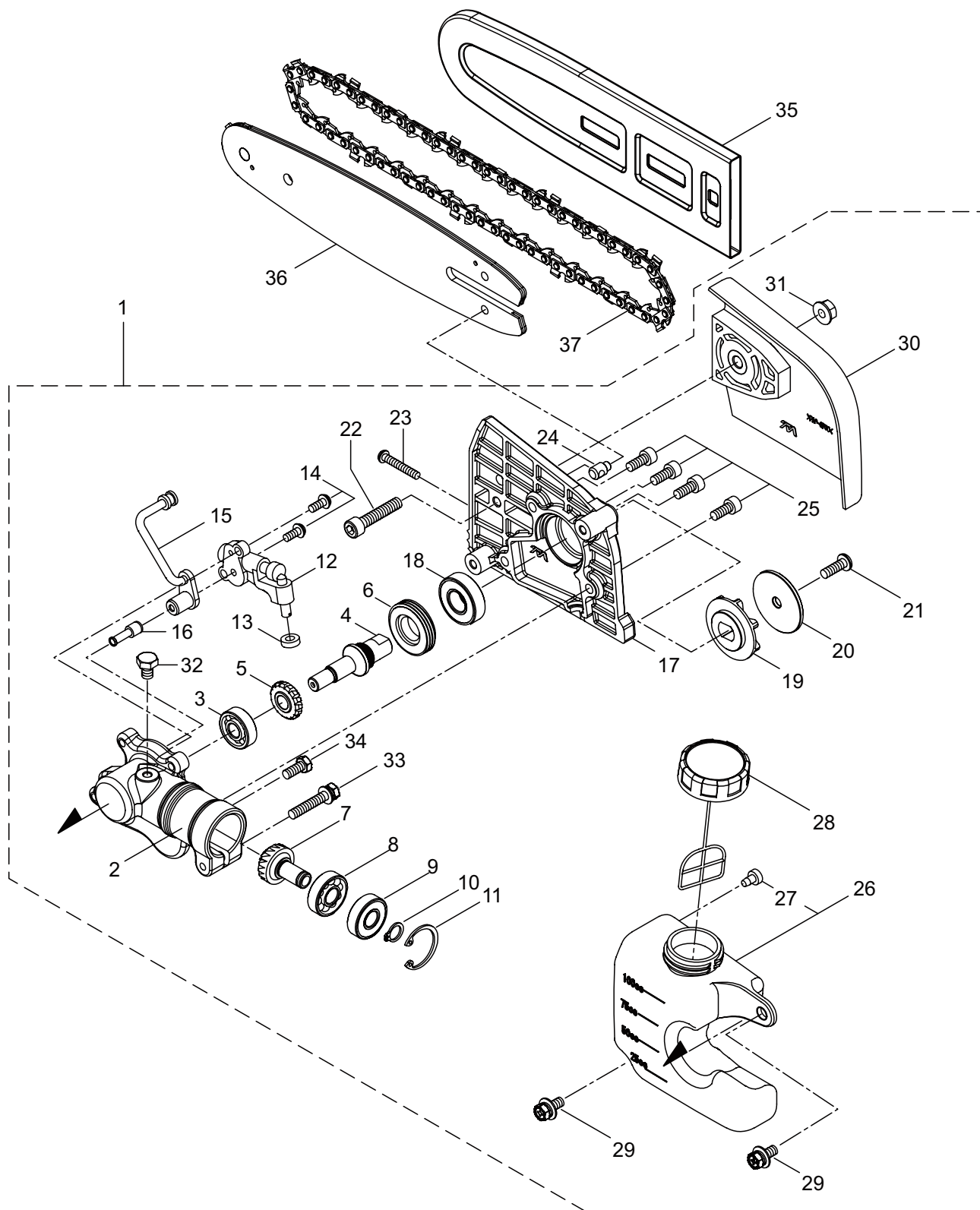
P/N 524254

1. TPP30
MAIN BODY



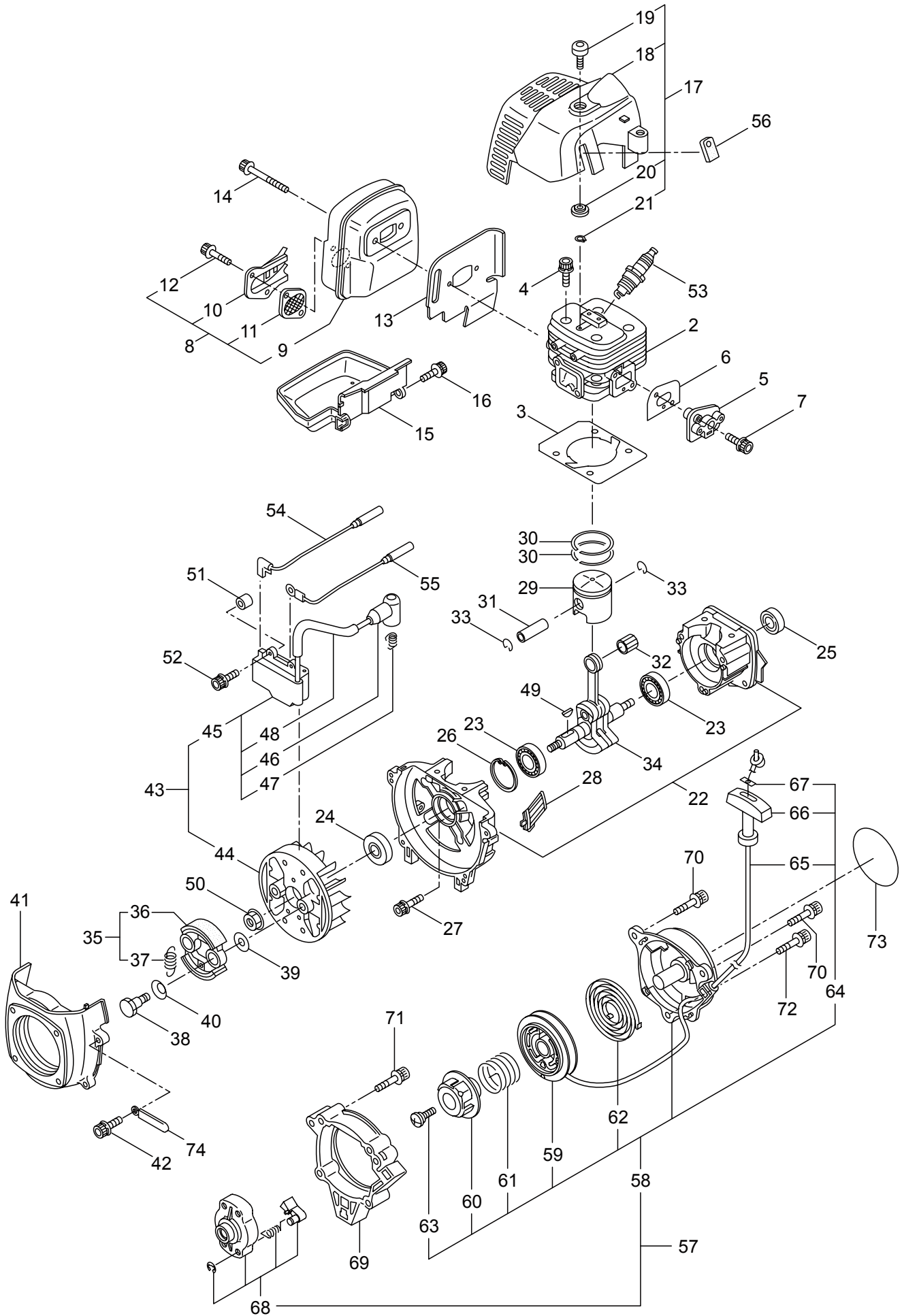
Ref. No.	Part No.	Part Name	Q'ty	Remarks
1-1	364565	TPP30	1	
1-2	224201	Clutch Case Ass'y	1	Incl.3-11
1-3	214592	Bearing Case	1	
1-4	214161	Bearing	2	#6000ZZ
1-5	054676	Snap Ring	1	#26
1-6	214162	Buffer	1	
1-7	214163	Washer	1	
1-8	092033	Screw	4	M5x15
1-9	214593	Driveshaft Tube Adapter	1	
1-10	220551	Clutch Drum	1	
1-11	014210	Snap Ring	1	#10
1-12	261246	Cap Screw	1	M5x25
1-13	231017	Throttle Trigger	1	
1-14	234694	Hanging Bracket Ass'y	1	Incl.15,16
1-15	234702	Cap Screw	1	M5x20
1-16	126993	Nut	1	M5
1-17	237254	Telescopic Pipe Ass'y	1	Incl.18-36
1-18	237574	Guide Pipe Ass'y	1	
1-19	237575	Drive Shaft	1	
1-20	237576	Set Collar	1	
1-21	237577	Cap Screw	1	M5x6
1-22	055186	Snap Ring	1	#12
1-23	237578	Bush Holder	5	
1-24	237579	Drive Bush	4	
1-25	237580	Spring	5	
1-26	233364	Screw	1	4x8
1-27	237581	Main Pipe Ass'y	1	
1-28	237582	Slide Holder	1	
1-29	237583	Sleeve	1	
1-30	237584	Slide Holder Washer	1	
1-31	237585	Cushion Tube	1	
1-32	237586	Knob	1	
1-33	237587	Bolt	1	M8x40
1-34	237588	Washer	1	8.7x17.6xt1.6
1-35	237589	Cap Screw	1	M6x25
1-36	237590	Cap Screw	1	M5x10
1-37	238156	Label	1	TPP30
1-38	231896	Label	1	
1-39	261250	Cap Screw	4	M5x20
1-40	220533	Hanging Strap Ass'y	1	Incl.41
1-41	231657	Hook	1	

2. TPP30 PRUNER HEAD



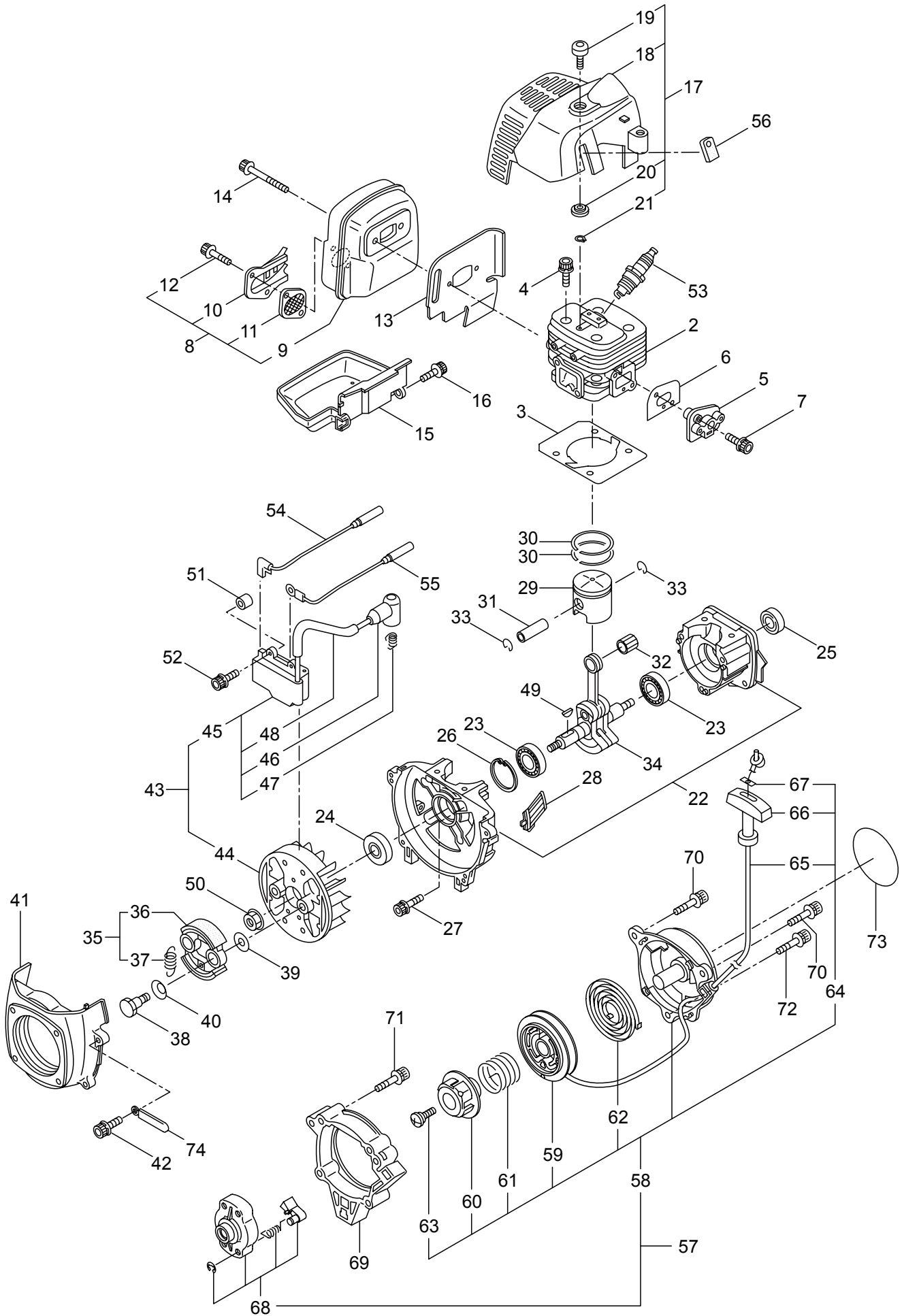
Ref. No.	Part No.	Part Name	Q'ty	Remarks
2-1	234082	Pruner Head Ass'y	1	Incl.2-34
2-2	231855	Gearcase A	1	
2-3	227990	Bearing	1	#608
2-4	231856	Gear Shaft	1	
2-5	231857	Gear	1	
2-6	231858	Worm Wheel	1	
2-7	231859	Pinion Shaft	1	
2-8	227992	Bearing	1	#609
2-9	227993	Bearing	1	#609Z
2-10	228477	Snap Ring	1	#9
2-11	140270	Snap Ring	1	#24
2-12	231860	Oil Pump	1	
2-13	231861	Seal	1	
2-14	231862	Screw	2	
2-15	231863	Pipe, Oil	1	
2-16	231864	Strainer	1	
2-17	234084	Gearcase B	1	
2-18	227991	Bearing	1	#6001DDU
2-19	231866	Sprocket	1	
2-20	231867	Washer	1	
2-21	231868	Bolt	1	M6x15
2-22	125588	Bolt	1	M6x30
2-23	234085	Screw	1	M4x30
2-24	231870	Adjuster	1	
2-25	231871	Bolt	4	M5x12
2-26	234086	Oil Tank Ass'y	1	Incl.27
2-27	231873	Breather	1	
2-28	231874	Tank Cap Ass'y	1	
2-29	092580	Bolt	2	M5x12
2-30	231875	Chain Cover Comp	1	
2-31	126756	Nut	1	M6
2-32	089819	Bolt	1	M6x8
2-33	261246	Cap Screw	1	M5x25
2-34	215993	Cap Screw	1	M5x10
2-35	234087	Chain Cover	1	
2-36	234088	Guide Bar	1	
2-37	289536	Chain	1	

3. TPP30 ENGINE



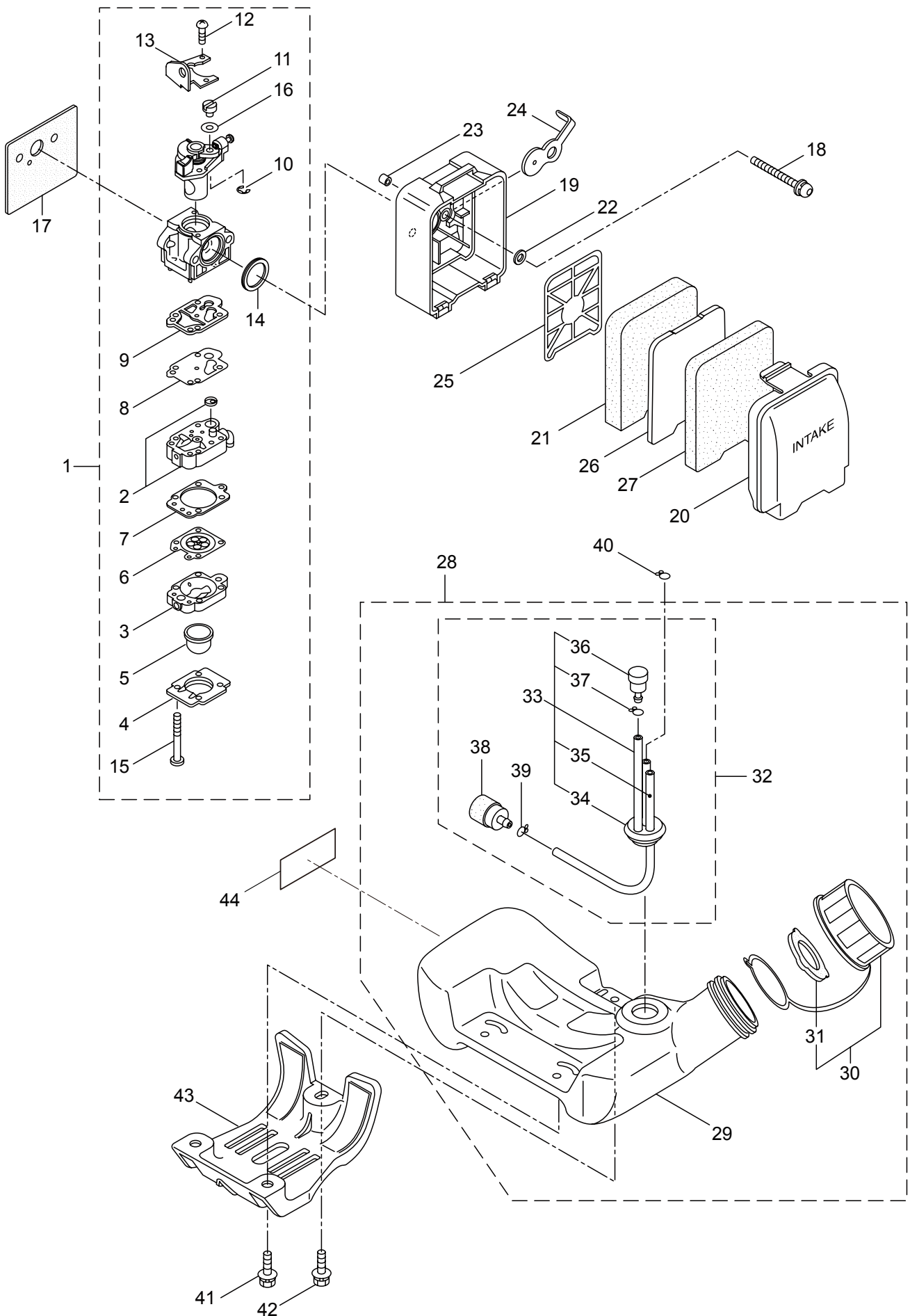
Ref. No.	Part No.	Part Name	Q'ty	Remarks
3-1	859823	Engine	1	CE300/91
3-2	286791	Cylinder	1	
3-3	286846	Gasket	1	
3-4	261250	Cap Screw	4	M5x20
3-5	269144	Insulator	1	New gasket required
3-6	267049	Gasket	1	
3-7	265924	Cap Screw	2	M5x25
3-8	283007	Muffler Ass'y	1	Incl.9-12
3-9	283003	Muffler Comp	1	
3-10	268171	Muffler Tail	1	
3-11	267056	Spark Arrester	1	
3-12	265107	Cap Screw	2	M4x10
3-13	281440	Gasket	1	
3-14	266402	Cap Screw	2	M5x55
3-15	281435	Under Cover	1	
3-16	267191	Cap Screw	1	M5x16
3-17	286707	Top Cover Ass'y	1	Incl.18-21
3-18	281434	Top Cover	1	
3-19	286300	Knob	1	
3-20	261020	Spacer	1	
3-21	261734	Snap Ring	1	#5
3-22	286851	Crankcase	1	
3-23	280488	Bearing	2	PPL 6001
3-24	261492	Oil Seal	1	ISCD12287
3-25	261386	Oil Seal	1	ISCD12227
3-26	055185	Snap Ring	1	#28
3-27	261612	Cap Screw	3	M5x30
3-28	281442	Screen	1	
3-29	283380	Piston	1	
3-30	265067	Piston Ring	2	(2)Required
3-31	265068	Piston Pin	1	
3-32	265225	Bearing,Needle	1	
3-33	261393	Clip,Piston Pin	2	
3-34	265141	Crankshaft/Conn.Rod Ass'y	1	
3-35	267327	Clutch Ass'y	1	Incl.36,37
3-36	267342	Clutch Shoe	2	(2)required
3-37	267345	Spring,Clutch	1	
3-38	264505	Bolt	2	
3-39	261189	Washer	2	6x16.5x1.2
3-40	261777	Wave Washer	2	
3-41	281433	Fan Cover	1	
3-42	261250	Cap Screw	4	M5x20
3-43	287898	Magneto Ass'y	1	Incl.44-48
3-44	287902	Rotor/Fan	1	
3-45	281746	Ignition Coil Ass'y	1	Incl.46-48

3. TPP30 ENGINE



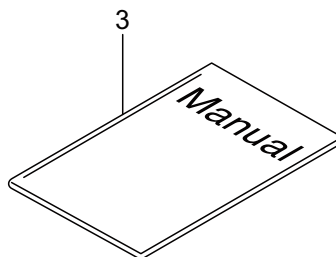
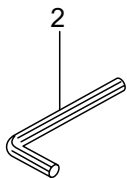
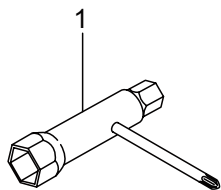
Ref. No.	Part No.	Part Name	Q'ty	Remarks
3-46	269714	Plug Boot	1	
3-47	269715	Connector	1	
3-48	281756	Insulator	1	
3-49	261076	Woodruff Key	1	3x10
3-50	261417	Nut,Rotor	1	M8
3-51	280381	Spacer	2	
3-52	261256	Cap Screw	2	M4x25
3-53	285982	Spark Plug	1	NGK BPM8Y
3-54	269722	Lead	1	
3-55	268044	Lead	1	
3-56	269189	Grommet	1	
3-57	283476	Recoil Starter Ass'y	1	Incl.58-68
3-58	283477	Recoil Ass'y	1	Incl.59-67
3-59	283504	Reel	1	
3-60	283505	Cam Plate	1	
3-61	283506	Spring	1	
3-62	261721	Spiral Spring	1	
3-63	267213	Screw	1	
3-64	283578	Stater Rope Ass'y	1	Incl.65-67
3-65	283579	Stater Rope	1	
3-66	261725	Starter Grip	1	
3-67	283511	Rope Stopper	1	
3-68	283575	Starter Pawl Ass'y	1	
3-69	284698	Adapter Ass'y	1	
3-70	283391	Cap Screw	2	M4x20
3-71	265726	Cap Screw	4	M4x16
3-72	282096	Cap Screw	1	M4x16WSW
3-73	289456	Label	1	CE300
3-74	264588	Clamp	1	

4. TPP30
CARBURETOR, FUEL TANK



Ref. No.	Part No.	Part Name	Q'ty	Remarks
4-1	284111	Carburetor Ass'y	1	Incl.2-16 New gasket required
4-2	264155	Pump Body	1	
4-3	262991	Purge Body	1	
4-4	262992	Cover Plate	1	
4-5	261874	Primer Bulb	1	
4-6	283905	Diaphragm, Meterring	1	
4-7	262993	Gasket	1	
4-8	262994	Diaphragm,Fuel Pump	1	
4-9	282576	Gasket	1	
4-10	261876	E-Ring	1	
4-11	261658	Swivel	1	
4-12	261875	Screw	2	
4-13	264677	Bracket	1	
4-14	261657	Packing	1	
4-15	262996	Screw	4	
4-16	264678	Washer	1	
4-17	269762	Gasket	1	
4-18	262720	Cap Screw	2	M5x55
4-19	263723	Housing	1	
4-20	263713	Air Filter Cover	1	
4-21	263714	Foam Element	1	
4-22	263000	Washer	1	
4-23	263715	Sleeve	2	
4-24	263007	Choke Valve	1	
4-25	263717	Screen	1	
4-26	274080	Element F	1	
4-27	285424	Element S	1	
4-28	284954	Fuel Tank Ass'y	1	Incl.29-39
4-29	281439	Fuel Tank	1	
4-30	281564	Fuel Tank Cap Ass'y	1	Incl.31
4-31	269377	Gasket	1	
4-32	282538	Fuel Pipe Pick-up Ass'y	1	Incl.33-39
4-33	282539	Fuel Pipe Ass'y	1	Incl.34-37
4-34	268065	Grommet	1	
4-35	261690	Fuel Pipe	1	160L
4-36	261590	Breather	1	
4-37	261117	Clip	1	
4-38	264653	Filter Ass'y	1	
4-39	261117	Clip	1	
4-40	261117	Clip	1	
4-41	281714	Cap Screw	2	M5x20
4-42	281715	Cap Screw	1	M5x20
4-43	281441	Stand	1	
4-44	283207	Label	1	

5. TPP30
ACCESSORIES



Ref. No.	Part No.	Part Name	Q'ty	Remarks
5-1	219968	Box Spanner	1	10x19x(-)
5-2	219432	Wrench	1	4mm
5-3	238095	Instruction Manual	1	TPP30